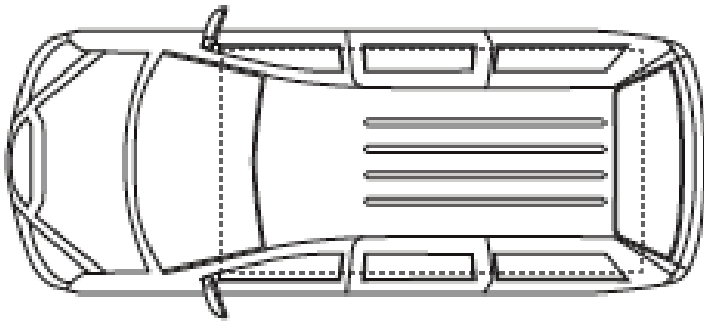
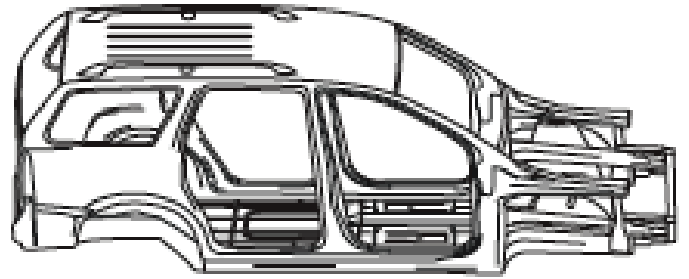
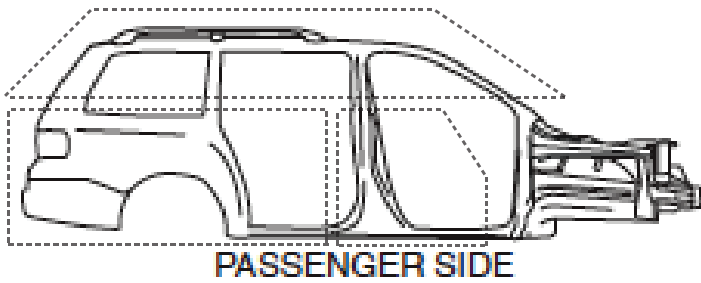


Date: \_\_\_\_\_  
 To: \_\_\_\_\_  
 From: \_\_\_\_\_  
 Fax #: \_\_\_\_\_  
 Phone #: \_\_\_\_\_  
 Year/Make/Model: \_\_\_\_\_

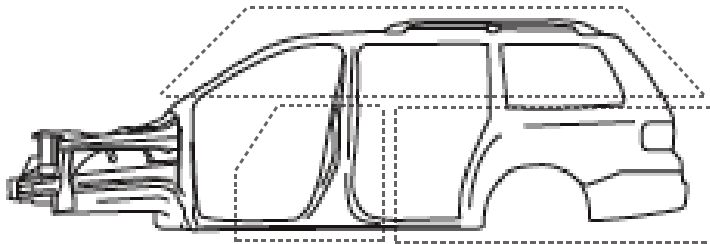
## Recycled Parts Request Form: Minivan

*These illustrations show our standard cuts. A surcharge is applicable for larger cut (beyond the dotted line).  
 Areas not identified by standard cut lines will be quoted accordingly.*

**Return Fax: 269-345-0002**  
**Toll-Free: 800-345-0123**



Please use the area below for a detail of cut instructions:



Notes:

---

---

---

---

---

